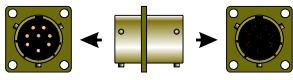
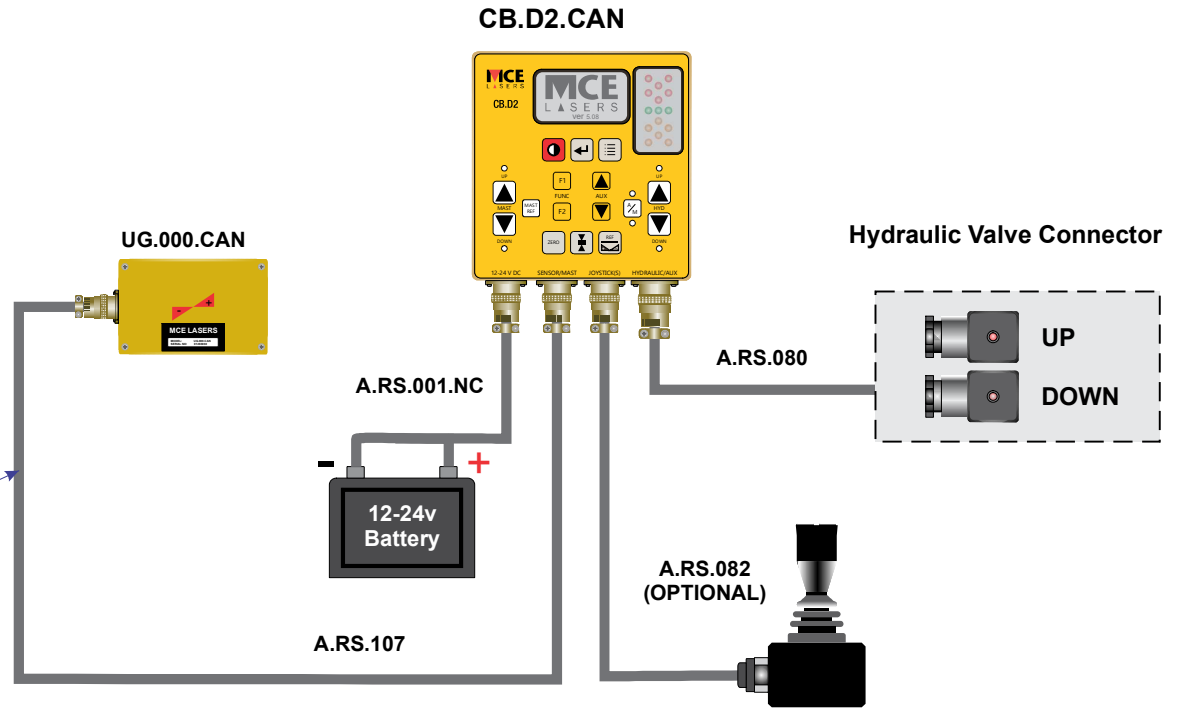



PARTS LIST		
DESCRIPTION	PART NUMBER	QTY
CONTROLLER BOX	CB.D2.CAN	1
SLOPE SENSOR	UG.000.CAN	1
JOYSTICK	A.RS.082 (Optional)	1
HYDRAULIC CABLE	A.RS.080	1
CAN CABLE	A.RS.107	1
POWER CABLE	A.RS.001.NC	1
8S-8P ADAPTOR	P.CONN.018 (Optional)	?
HIRSCHMANN CONNECTORS	GDM 3009 BLACK (Optional)	2

CAN CABLE OPTIONS	
A.R.S.111	(2.5m)
A.R.S.110	(5.0m)
A.R.S.107	(10.0m)
A.R.S.106	(CURLY CORD) 1.7m un-streched 8.5m stretched



OPTIONAL 8P - 8S  
CAN CORD ADAPTOR  
(P.CONN.018)  
for extending CAN cables



RevNo	Revision note	Date	Signature	Checked	Tolerances	Path: X:\Graphical Work\Setup Diagrams\Setup diagrams CAN						
1	Rearranged to be consistent with the rest of the setup diagrams.	03/02/21	N.A.	D.R. & C.R.	Unless Stated:	Material:	Drawn by:	Checked by:	Unit:	aumoba Code:	Finish:	
	Updated the template.				xx.x = +/- 0.1 xx.xx = +/- 0.05 xx.xxx = +/- 0.02	N.A.	D.R.			RS.035	Date: 03/02/21	Scale: NTS
						 90 Willandra Drive, Epping, Victoria 3076 P: +61 3 9357 0055 Email: aumoba@moba.de www.moba-automation.com.au					Title: <b>SETUP DIAGRAM FOR CB.D2 WITH SLOPE SENSOR</b>	
						Drawing No:			Version:	Sheet: 1		