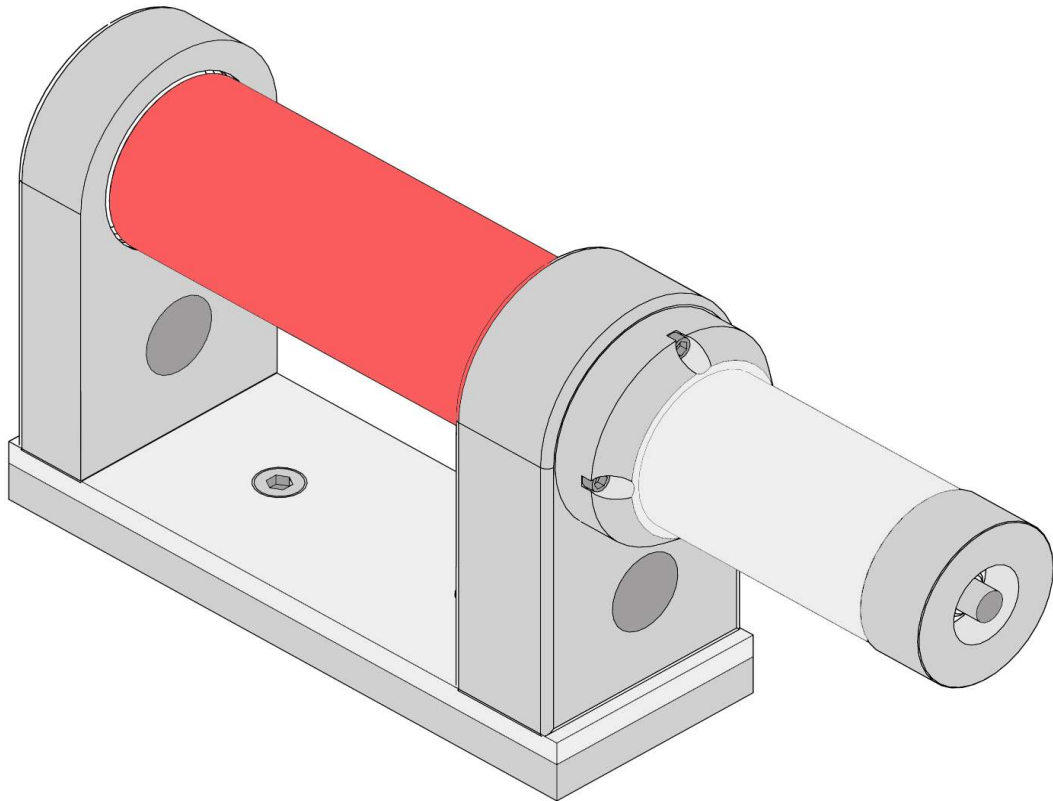


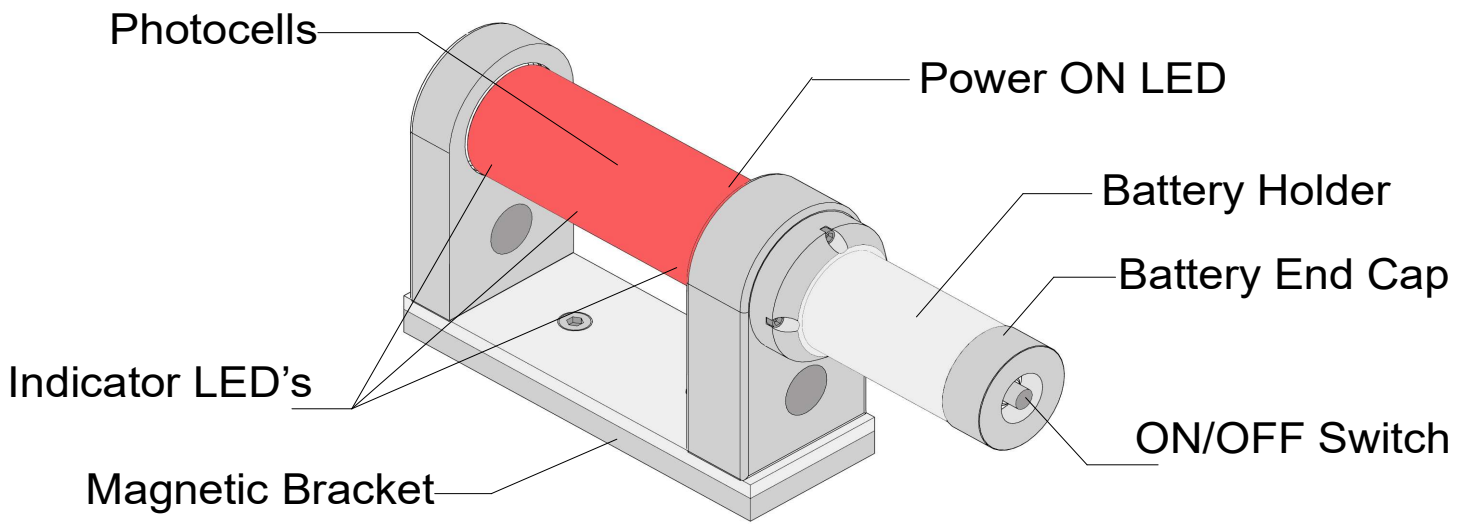
Operator's Manual



SPECIFICATIONS

Dimensions (L x W x H):	275 mm x 120 mm x 60 mm
Weight:	1.9 kg
Shock protection:	Yes
Waterproof:	Yes
Power supply:	Internal battery, 1 "D" Cell
Operation time:	100 hours (tested in adverse conditions)
Detector length:	90 mm
Receiving range:	500 m radius (tested with an MCE laser LS.230)
Power on indication:	Red LED
Magnetic bracket:	Industrial strength, 170 mm x 60 mm

Specifications subject to change without notice.



Turning the Instrument ON and OFF

Press the "ON/OFF Switch" to turn the instrument on. The "Power ON LED" will come on and the "Indicator LED's" will flash once.

To turn the instrument OFF, press the "ON/OFF Switch" again. The "Power ON LED" will go off.

Replacing the Battery

Unscrew the "Battery End Cap" and remove the old battery. Slide the new battery in, following the polarity sign on the "Battery Holder". Screw the "Battery End Cap" back on.

