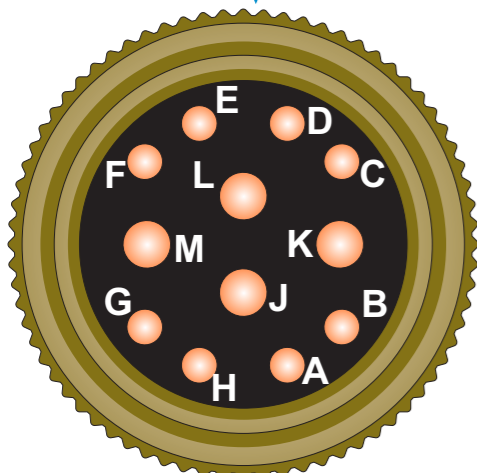
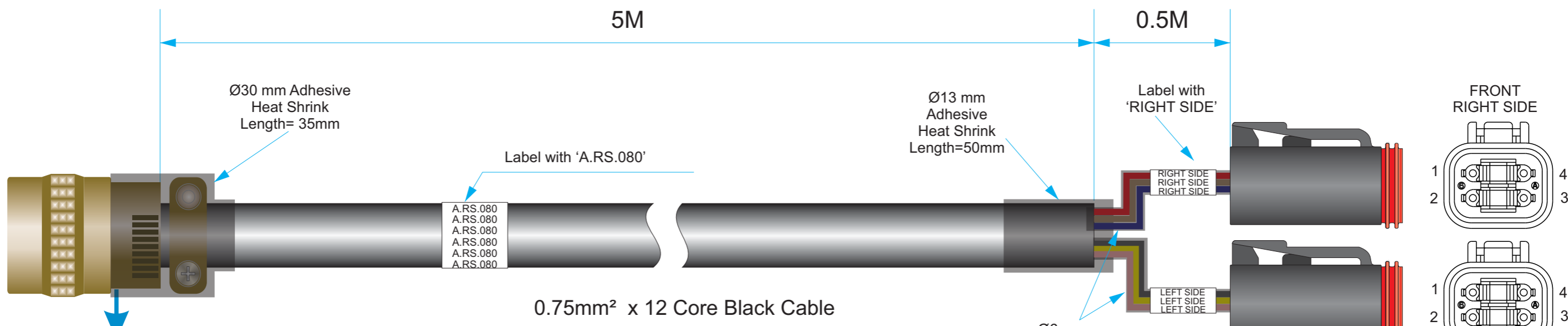


1 2 3 4 5 6 7 8

A B C D E F



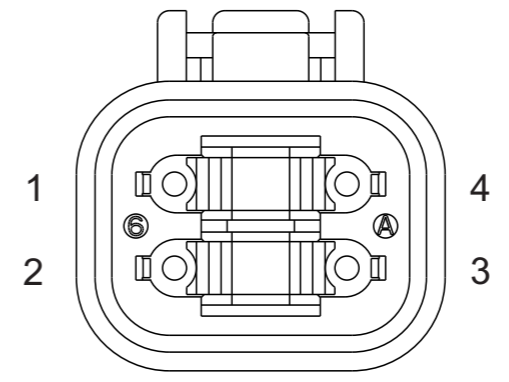
Back View  
12 PIN Connector  
(MS 3116 F14 - 12P)

0.75mm<sup>2</sup> x 12 Core Black Cable

MILITARY CONNECTOR			DEUTSCH PINS	
PINS	COLOUR	WIRE LABEL	RIGHT SIDE	LEFT SIDE
C	BROWN	SIG2 / UP2	1 (Us)	—
—	—	—	2 (Error)	—
M	BLUE	GND	3 (GND)	—
A	RED	VCC	4 (V <sub>dc</sub> )	—

G	YELLOW	SIG1 / UP1	—	1 (Us)
—	—	—	—	2 (Error)
J	PINK	GND	—	3 (GND)
K	GREY	VCC	—	4 (V <sub>dc</sub> )

UNUSED WIRES CUTOFF		
B	PURPLE	VCC
D	AQUA	DOWN 2
E	WHITE	AUX1 UP
F	BLACK	AUX1 DOWN
H	ORANGE	DOWN 1
L	GREEN	VCC



DT06 - 4S  
FRONT VIEW

RevNo	Revision note	Date	Signature	Checked	Tolerances	Path: Y:\Electronic CAD\CABLES & WIRING\COREL DRAW AND PDF DRAWINGS\A.RS.080						
01	Deleted 9mm heat shrink because there is no need.	08/12/22	N.A.	C.R.	Unless Stated: xx.x = +/- 0.1 xx.xx = +/- 0.05 xx.xxx = +/- 0.02	Material:			Finish:			
						Drawn by:	Checked by:	Unit:	aumoba Code:	Date:	Scale:	
						N.A.	C.R.	mm	A.RS.080	08/12/22	NTS	
						Title: Hydraulic Cord for DANFOSS Proportional using Deutsch Connector						
						MOBA MOBILE AUTOMATION AUSTRALIA PTY LTD			Drawing No:		Version:	Sheet:
						90 Willandra Drive, Epping, Victoria 3076 P: +61 3 9357 0055 Email: aumoba@moba.de www.moba-automation.com.au						A3

1 2 3 4 5 6 7 8