

1 2 3 4 5 6 7 8

A

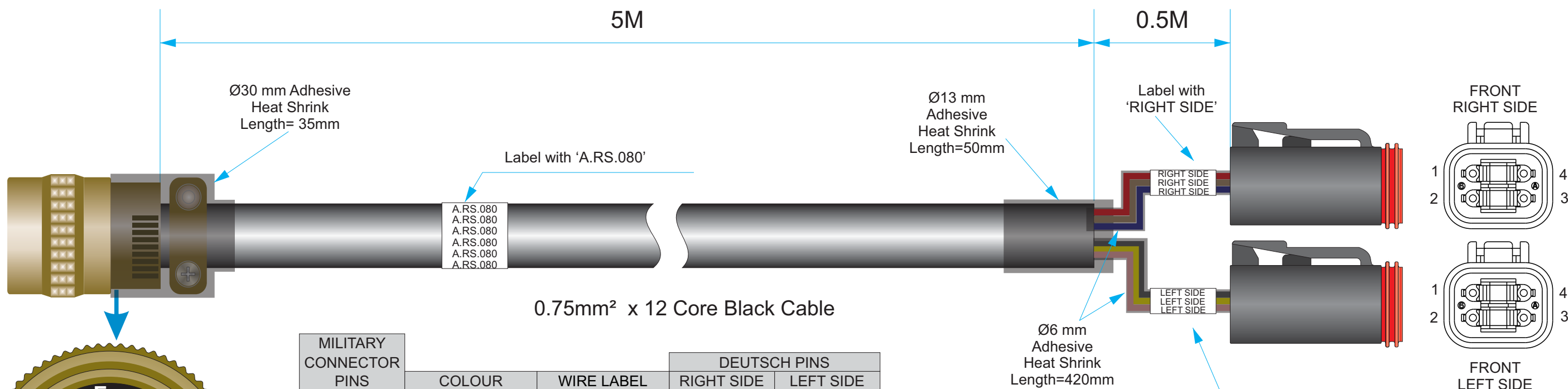
B

C

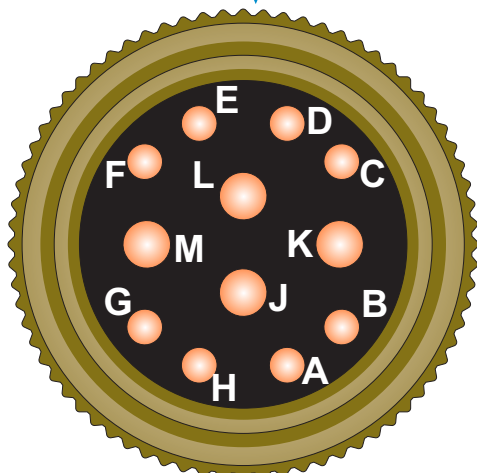
D

E

F



0.75mm<sup>2</sup> x 12 Core Black Cable

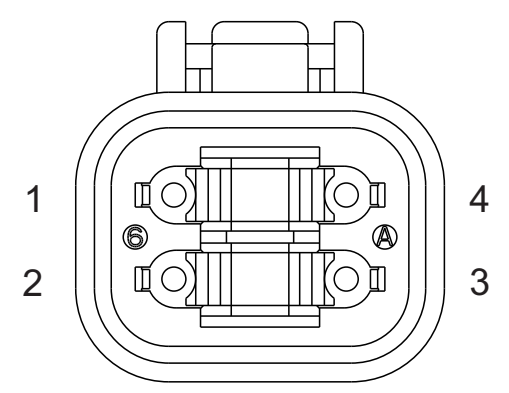


Back View  
12 PIN Connector  
(MS 3116 F14 - 12P)

MILITARY CONNECTOR PINS	COLOUR	WIRE LABEL	RIGHT SIDE	LEFT SIDE
C	BROWN	SIG2 / UP2	1	—
M	BLUE	GND	3 (GND)	—
D	AQUA	DOWN 2	4	—

G	YELLOW	SIG1 / UP1	—	1
J	PINK	GND	—	3 (GND)
H	ORANGE	DOWN 1	—	4

UNUSED WIRES CUTOFF		
B	PURPLE	VCC
A	RED	VCC
E	WHITE	AUX1 UP
F	BLACK	AUX1 DOWN
K	GREY	VCC
L	GREEN	VCC



DT06 - 4S  
FRONT VIEW

RevNo	Revision note	Date	Signature	Checked	Tolerances	Path: Y:\Electronic CAD\CABLES & WIRING\COREL DRAW AND PDF DRAWINGS\A.RS.080					
01	Deleted 9mm heat shrink because there is no need.	08/12/22	N.A.	C.R.	Unless Stated: xx.x = +/- 0.1 xx.xx = +/- 0.05 xx.xxx = +/- 0.02	Material:			Finish:		
						Drawn by:	Checked by:	Unit:	aumoba Code:	Date:	Scale:
						N.A.	C.R.	mm	A.RS.080	08/12/22	NTS
						Title: Hydraulic Cord for DANFOSS On/Off using Deutsch Connector					
						Drawing No:				Version:	Sheet:
											A3

1 2 3 4 5 6 7 8